

Go-kart2

PARTS CATALOGUE



Kinroad Xintian Motorcycle Manufacture Co., Ltd.

www.kinroad.com

说 明

用户订购零件时请参考本册，若与实车不同之处，以实车为准。如欲知某零部件的名称、件号或装配关系，可按零部件的形状，在有关的插图中查找，可知其装配位置。然后按图上的序号在相应的表格中即可查到该零部件的名称、件号和数量。后续更改，不再通知。

FOREWORD

Please make reference to this book when you plan to purchase the parts. Any difference against the real motorcycle, please do as per the real. To get information concerning a certain component part, first locate, by its shape, the part in the illustration which show its fitting position, then find out the reference number of that part and look it up in the corresponding table where all information about the part are provided, such as the name, part number, quantity and/or its fitting relationship with other parts. Any modifications will not be informed ahead of time.

CONTENTS

| | | | |
|-------|----------------------------------|-------|----------------------------|
| FIG1 | CYLINDER HEAD ASSY | FIG14 | DRIVE PULLEY SUBASSY |
| FIG2 | CYLINDER ASSY | FIG15 | CARBURETOR |
| FIG3 | CRANKCASE ASSY(1) | FIG16 | FRAME GROUP |
| FIG4 | CRANKCASE ASSY(2) | FIG17 | STEERING SHAFT ASSY |
| FIG5 | CRANKSHAFT CONROD & PISTON ASSY | FIG18 | SUSPENSION ARM ASSY |
| FIG6 | CAMSHAFT ASSY | FIG19 | REAR CARGO RACK/SEAT/BELT |
| FIG7 | LEFT COVER ASSY | FIG20 | REAR SWING ARM ASSY.UPPER |
| FIG8 | FAN COVER AND SHROUD ASSY | FIG21 | ENGING/MUFFLER/AIR CLEANER |
| FIG9 | OIL PUMP ASSY | FIG22 | REAR SWING ARM |
| FIG10 | DRIVEN PULLEY AND CLUTCH SUBASSY | FIG23 | REAR HOUSING |
| FIG11 | TRANSMISSION ASSY | FIG24 | WIRE HARNESS/ELECTRICAL |
| FIG12 | ELECTRIC SYSTEM | FIG25 | REVERSE ASSY |
| FIG13 | ELECTRIC STARTER ASSY | | |

FIG.1

CYLINDER HEAD ASSY.

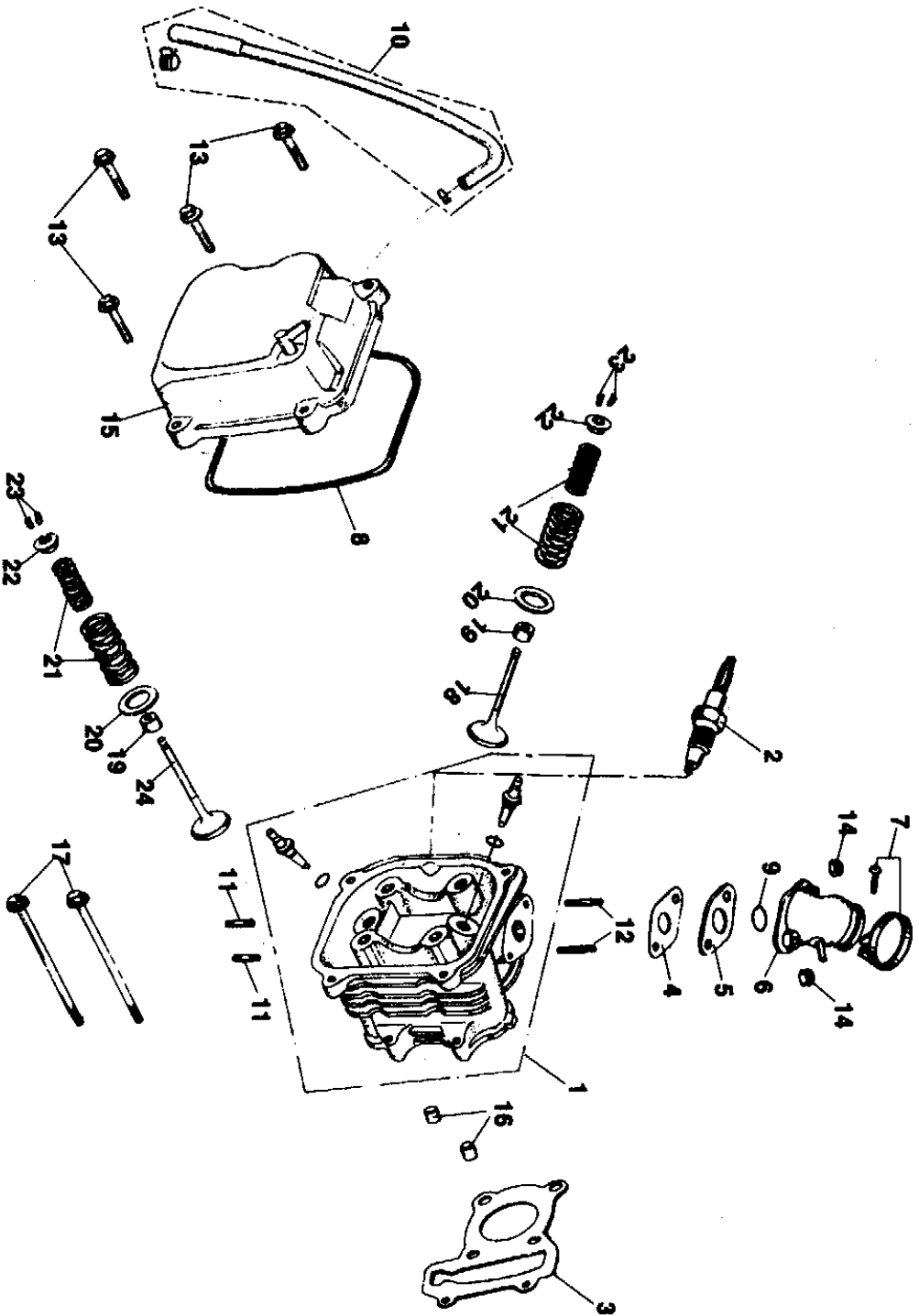


FIG.2

CYLINDER ASSY.

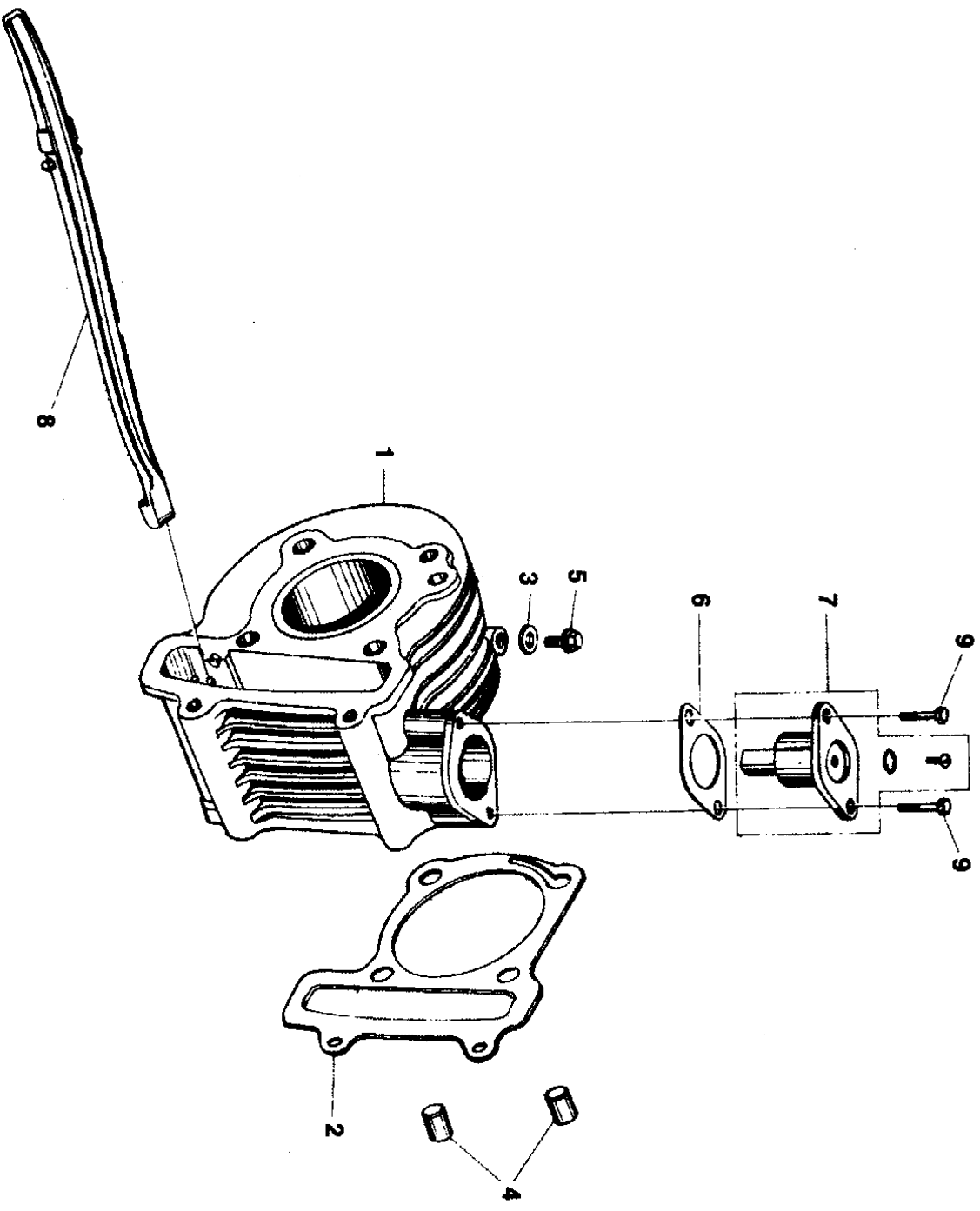
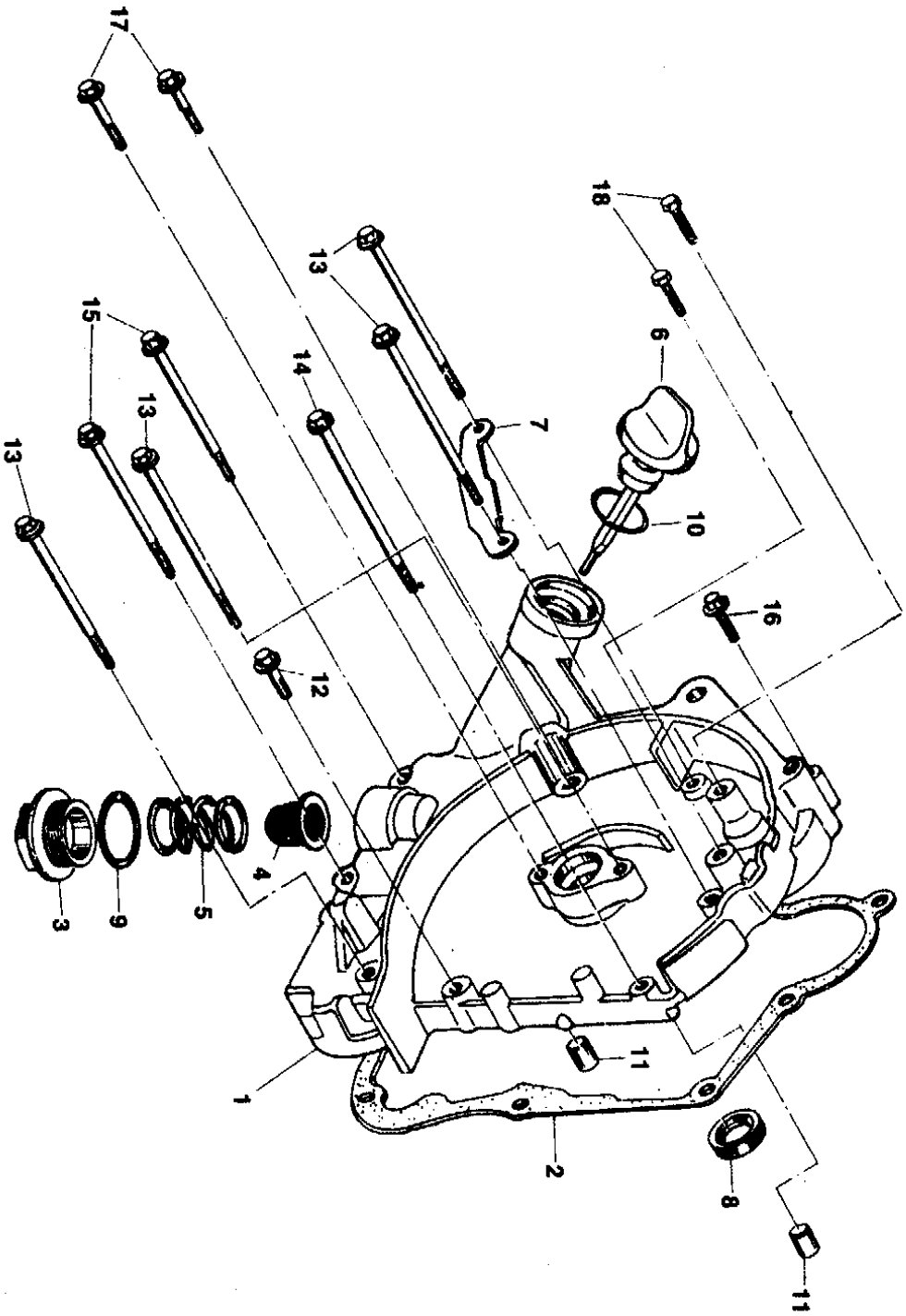


FIG.3

CRANKCASE ASSY.(1)



| CRANKCASE ASSY.(2) | | | |
|--------------------|--------------|---------------------------|-------|
| NO. | PART NO. | PART NAME | Q T Y |
| 24 | M150-1003203 | BOLT FLANGE M6X12 | 2 |
| 25 | M150-1003202 | SEPARATOR OIL | 1 |
| 26 | M150-1003022 | PIVOT CAM CHAIN TENSIONER | 1 |
| 27 | M150-1003023 | OIL SEAL 15.2X12 | 1 |
| 28 | M150-1003005 | BOLT FLANGE M6X14 | 1 |
| 29 | M150-1003021 | PLATE KICK RETURN STOPPER | 1 |
| 30 | M150-1003009 | BOLT FLANGE M6X35 | 3 |
| 31 | M150-1003011 | BOLT FLANGE M6X25 | 3 |
| 32 | M150-1003201 | PLUG OIL 6.5X5 | 2 |

| CRANKCASE ASSY.(2) | | | |
|--------------------|-----------------|-------------------------------|-------|
| NO. | PART NO. | PART NAME | Q T Y |
| 1 | M150-1003210 | CRANKCASE ASSYR | 1 |
| 2 | M150-1003320 | BUSH ENGINE HANGER RUBBER | 2 |
| 3 | M150-1003014 | GASKET CRANKCASE | 1 |
| 4 | M150-1003310 | CRANKCASE ASSYL | 1 |
| 5 | M150-1003330 | BUSH RR CUSHION UNDER RUBBER | 1 |
| 6 | M150-1003003 | NUT FLANGE M8 | 4 |
| 7 | M150-1003004 | WASHER Ø8 | 4 |
| 8 | M150-1003001 | BOLT STUD M6X187.5 | 2 |
| 9 | M150-1003002 | BOLT STUD M6X195.5 | 2 |
| 10 | 91004-E6002-KAT | BEARING RADIAL BALL E6002 | 1 |
| 11 | M150-1003005 | PIN DOWEL 8X14 | 6 |
| 12 | M150-1003110 | OIL SEAL 19.8X30X5 | 1 |
| 13 | M150-1003340 | OIL SEAL 72X42X7 | 1 |
| 14 | 91004-E6004-2RS | BEARING RADIAL BALL E6004-2RS | 1 |
| 15 | M150-1003032 | BOLT FLANGE M6X50 | 2 |
| 16 | 91004-E6301-KAT | BEARING RADIAL BALL E6310 | 1 |
| 17 | M150-1003015 | PIN BRAKE SHOE ANCHOR | 1 |
| 18 | M150-1003016 | OIL SEAL 7.5X15 | 1 |
| 19 | M150-1003600 | NUT FLANGE M8 | 1 |
| 20 | M150-1003018 | BOLT DRAIN PLUG M12 | 1 |
| 21 | M150-1003019 | WASHER DRAIN PLUG Ø12 | 1 |
| 22 | M150-1003400 | TUBE BREATHER | 1 |
| 23 | M150-1003500 | CTENSIONER CAM CHAIN | 1 |

FIG.4

CRANKCASE ASSY.(2)

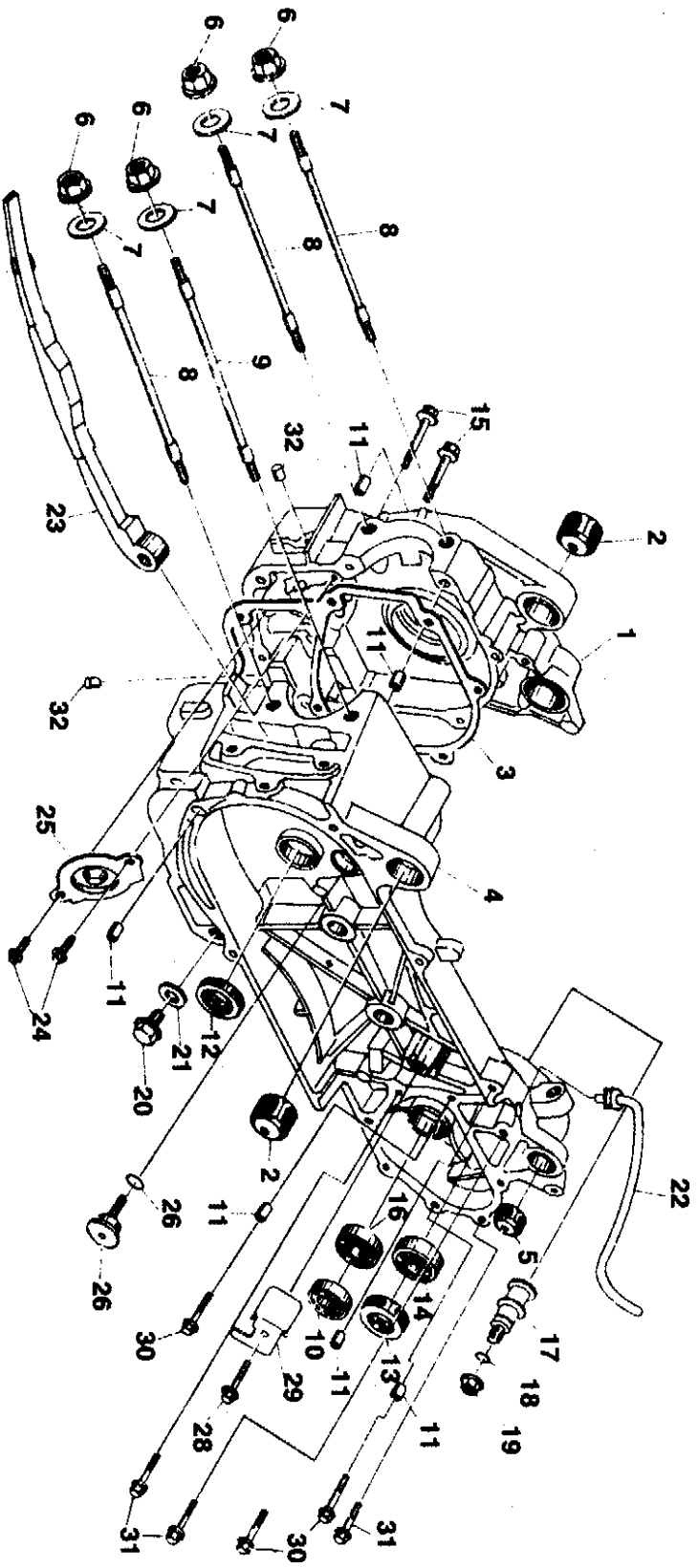


FIG.5

CRANKSHAFT CONROD & PISTON ASSY.

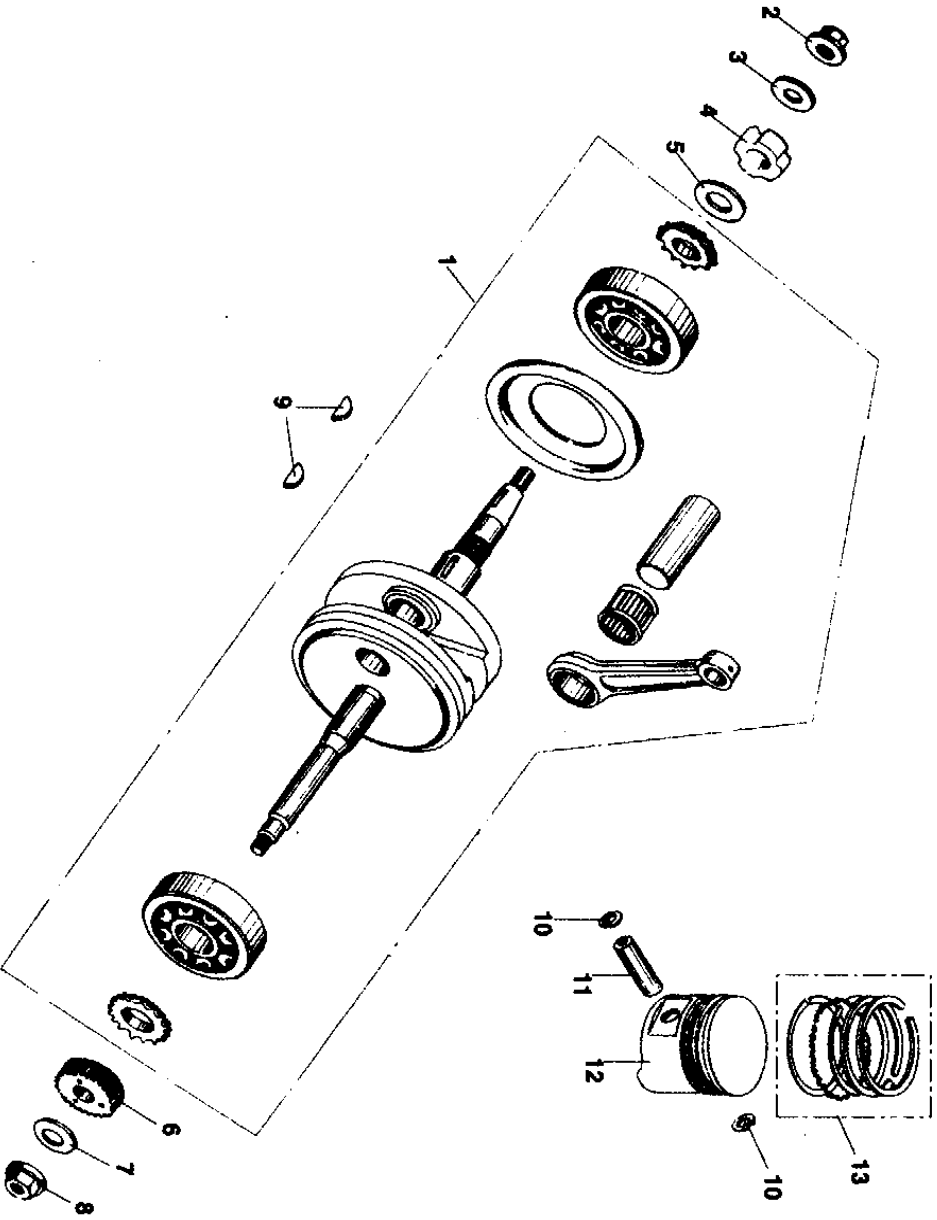


FIG.6

CAMSHAFT ASSY.

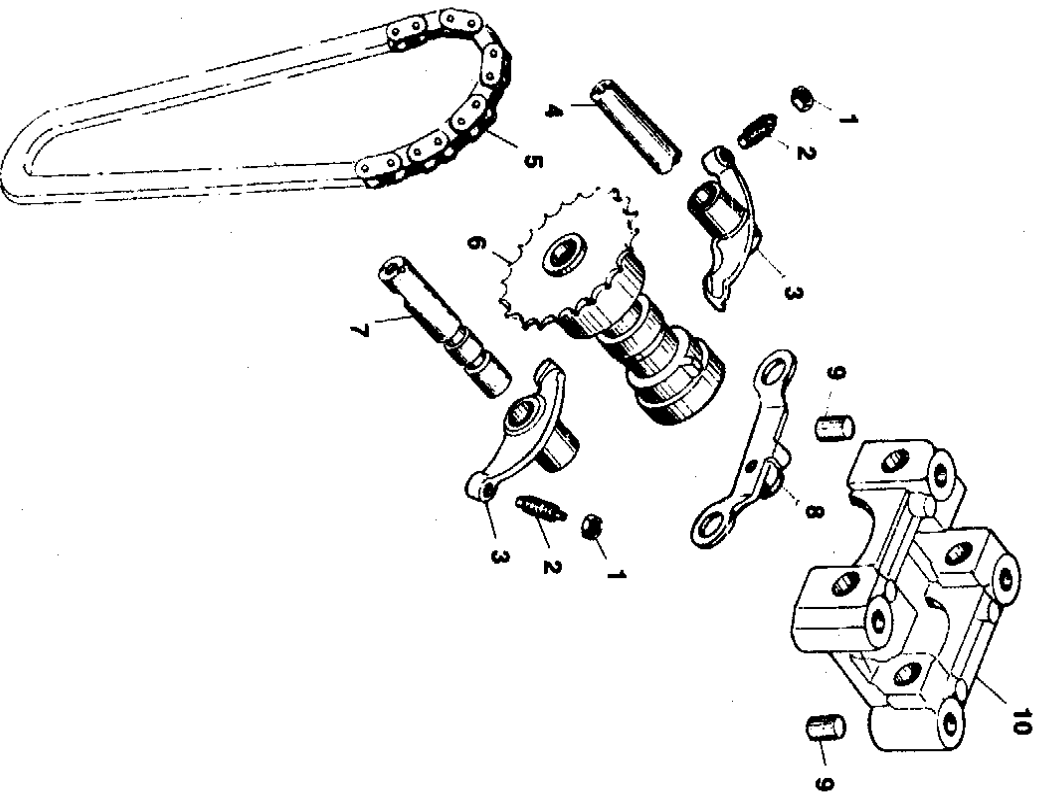


FIG.7

LEFT COVER ASSY.

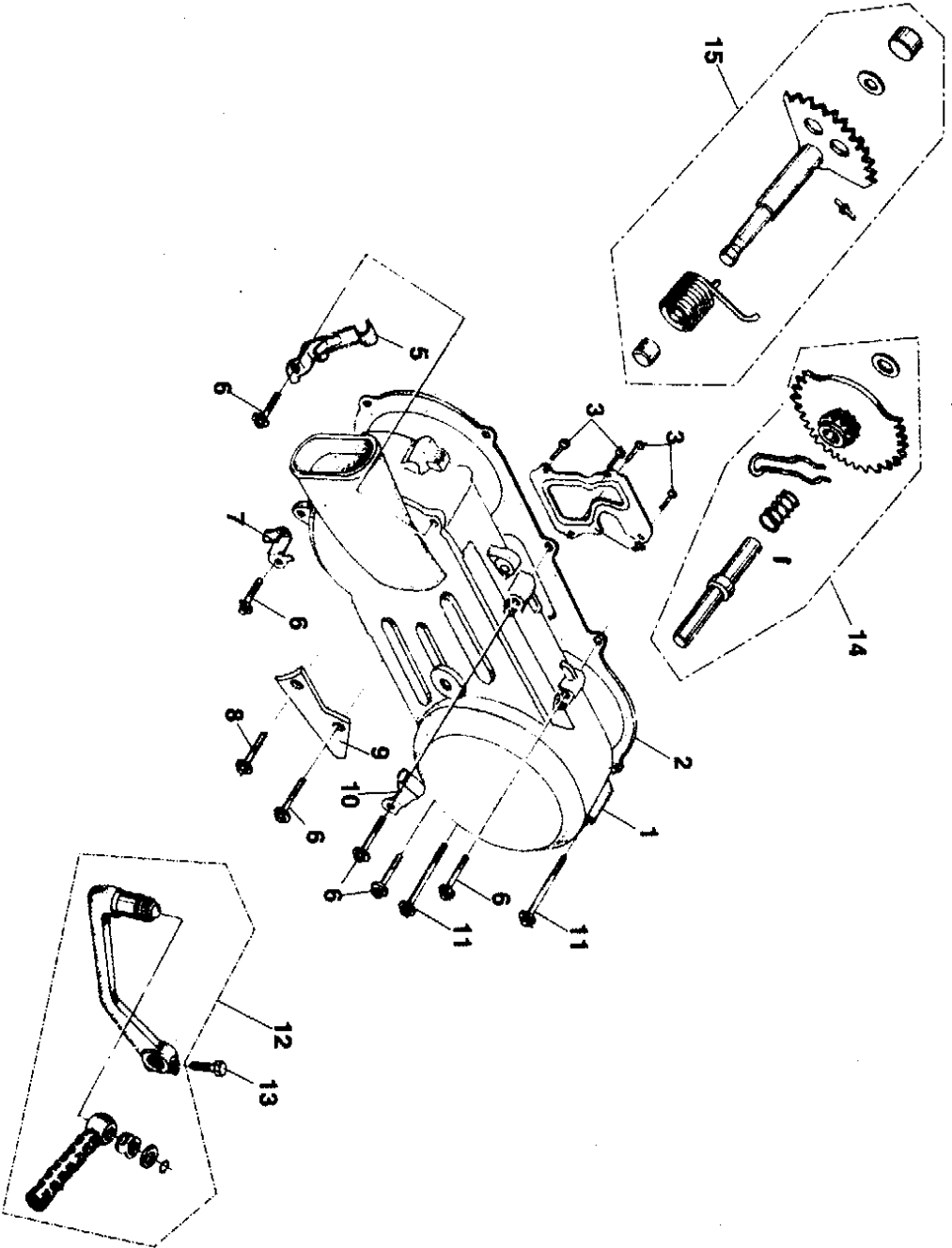


FIG.8

FAN COVER AND SHROUD ASSY.

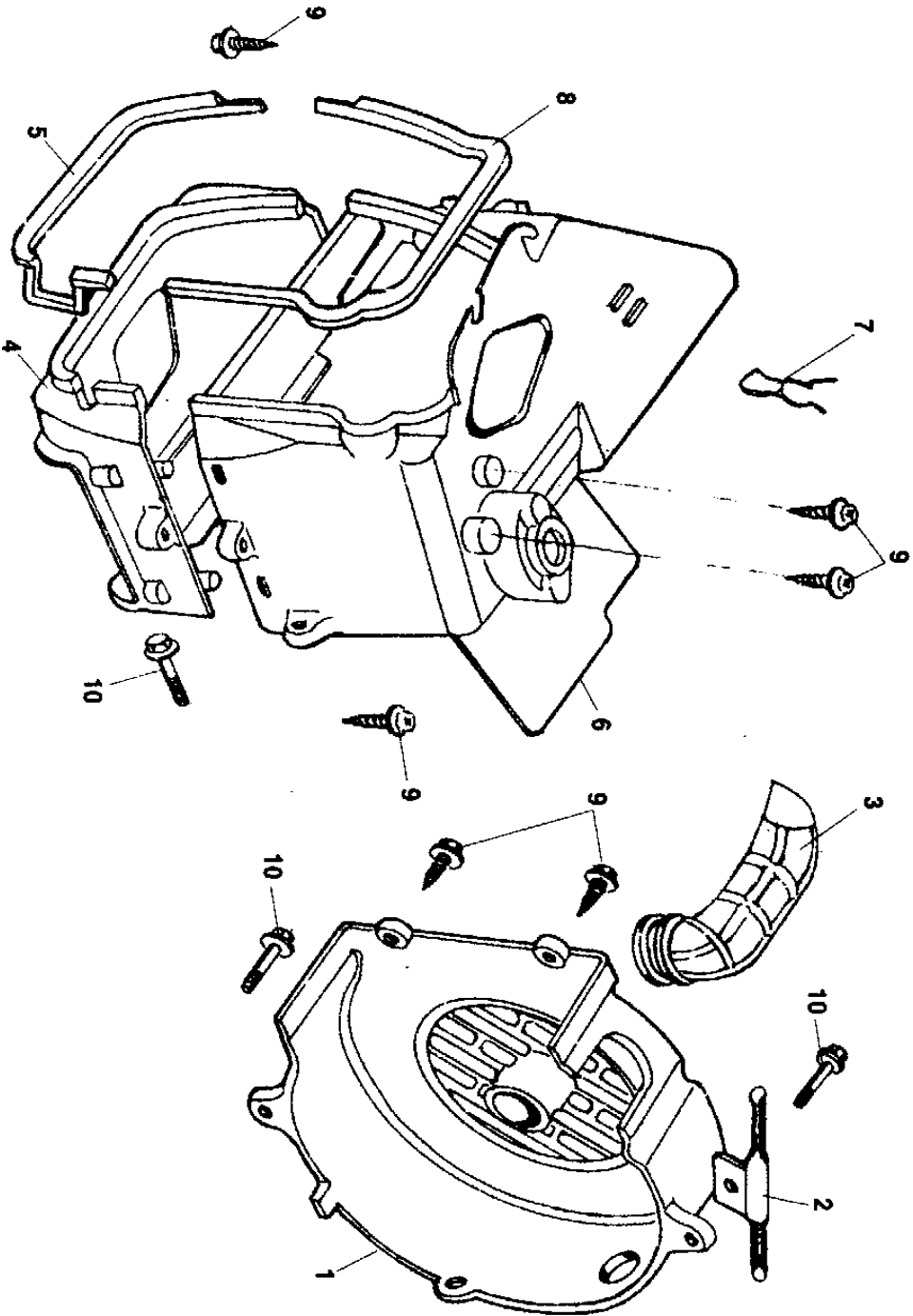


FIG.11

TRANSMISSION ASSY.

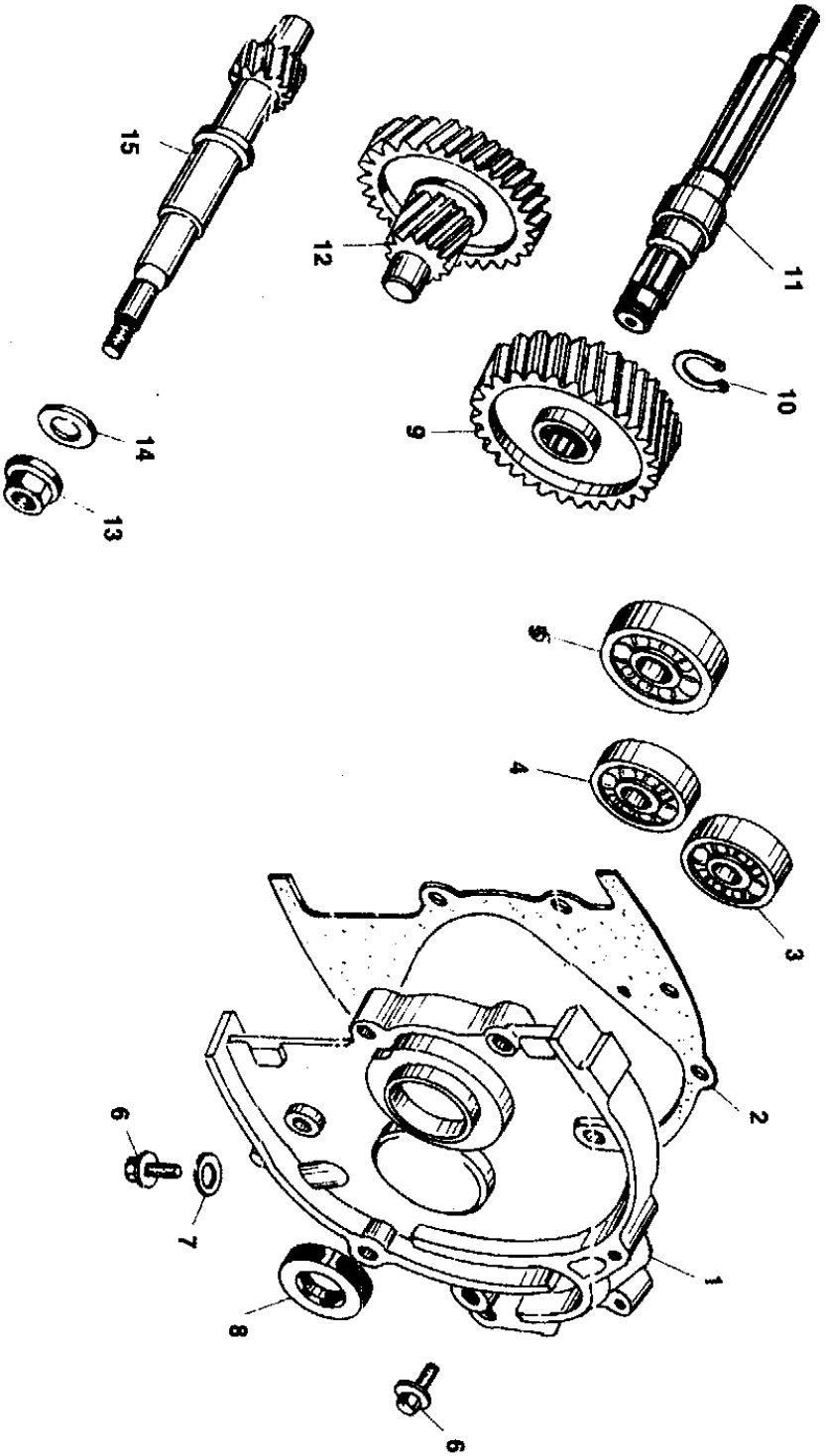


FIG.12

ELECTRIC SYSTEM

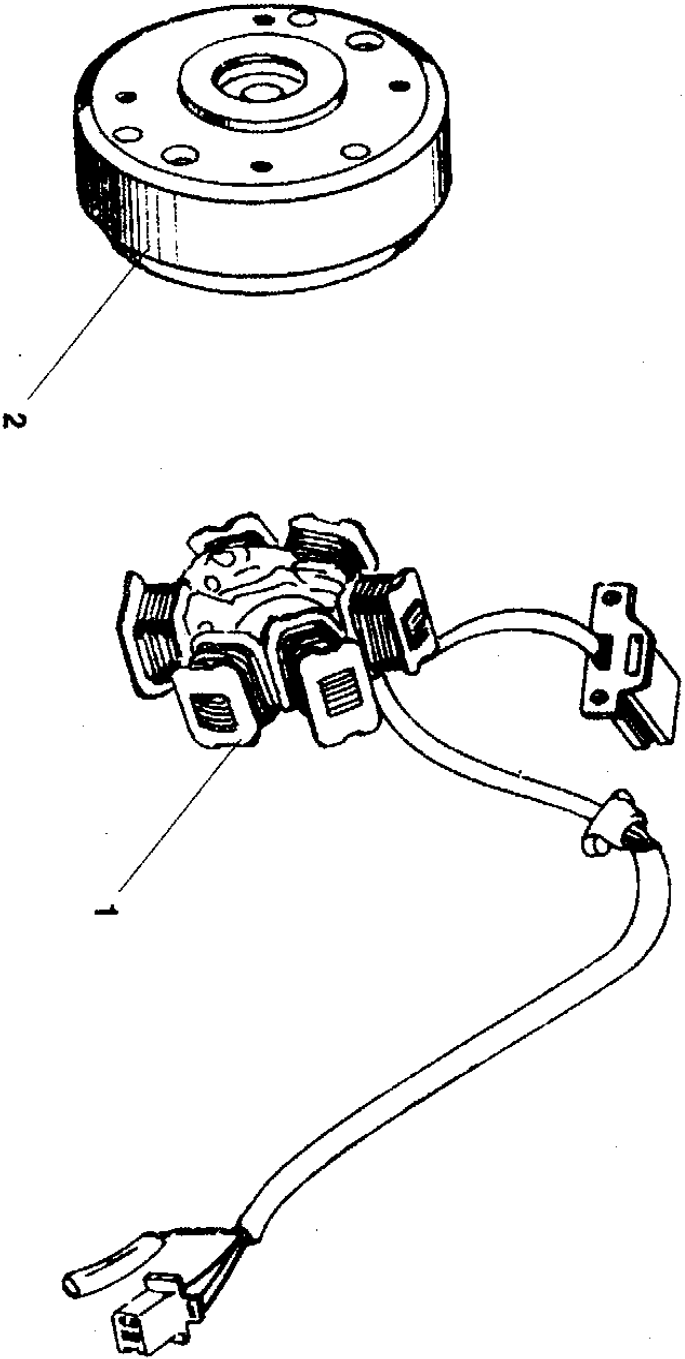


FIG.13

ELECTRIC STARTER ASSY.

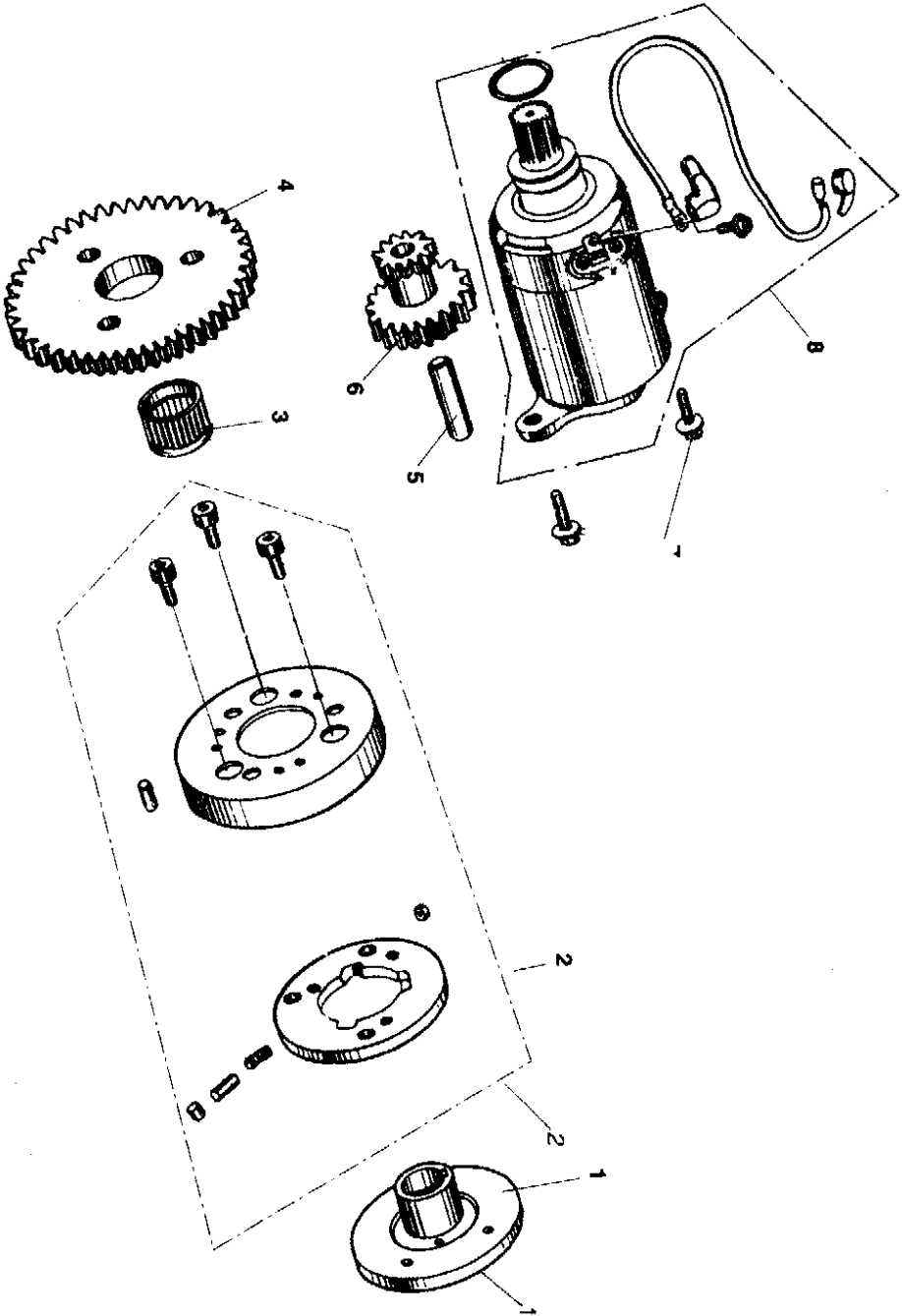
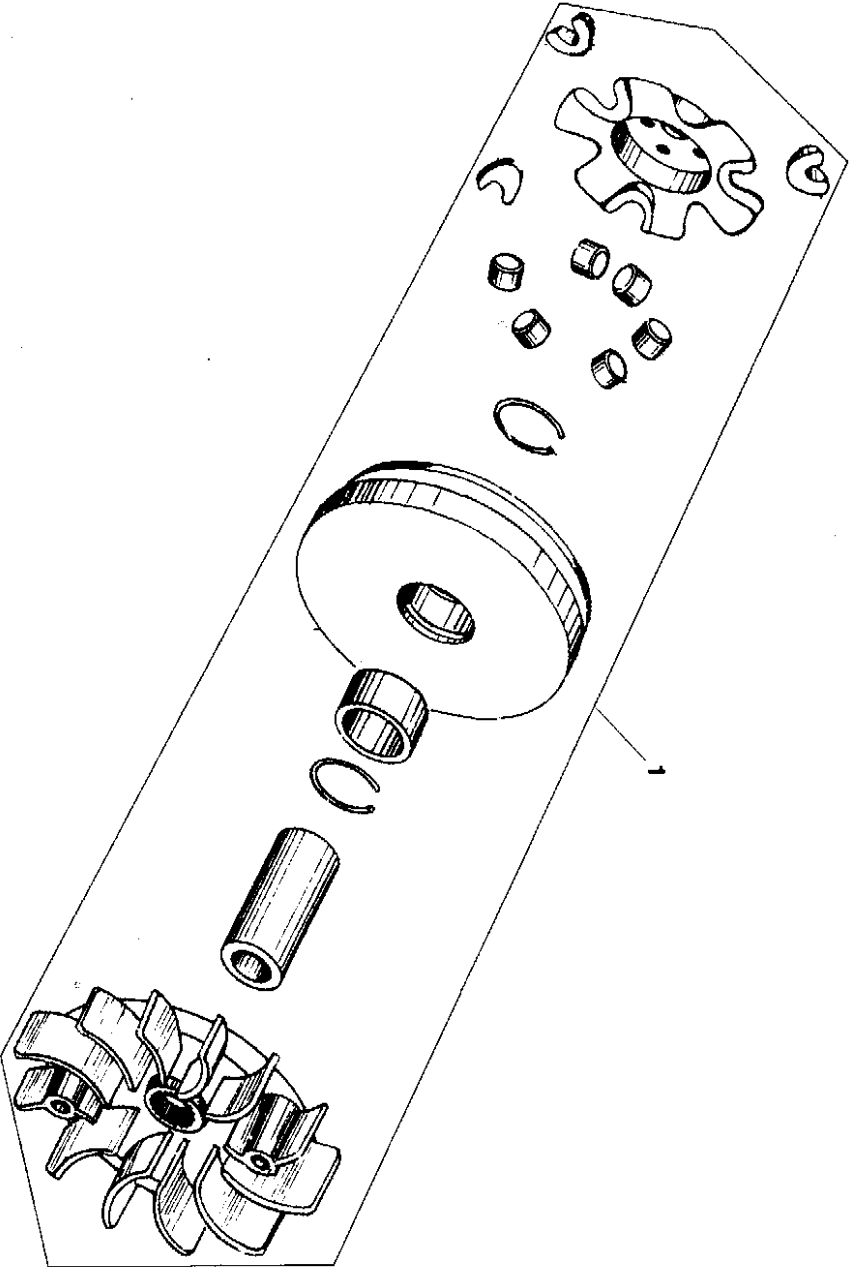


FIG.14

DRIVE PULLEY SUBASSY.

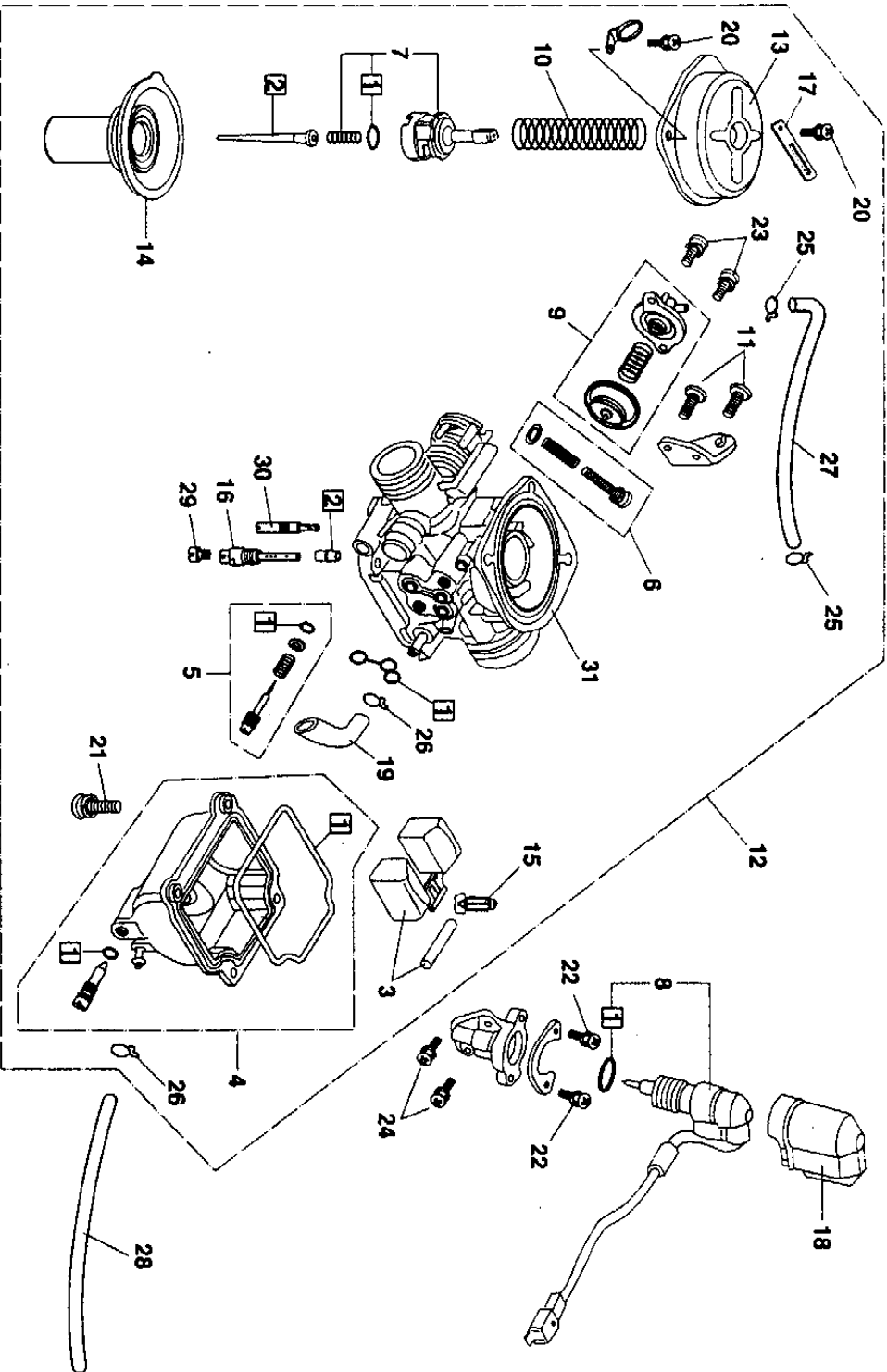


| CARBURETOR | | | |
|------------|----------------|---------------------|------|
| NO. | PART NO. | PART NAME | Q'TY |
| 24 | 93892-05012-18 | SCREW-WASHER, M6X12 | 2 |
| 25 | 95002-02079 | CLIP(TUBE#7) | 2 |
| 26 | 95002-02089 | CLIP(TUBE#8) | 2 |
| 27 | 95005-35200-21 | TUBE,3.5X210 | 2 |
| 28 | 16199-GT8-600 | TUBE | 1 |
| 29 | 99101-GHB-0112 | JET,MAIN 112# | 1 |
| 30 | 99103-GY6-0350 | JET,SLOW 35# | 1 |
| 31 | 16100-KAY-923 | CARBURETOR BODY | 1 |

| CARBURETOR | | | |
|------------|-----------------|--------------------------|------|
| NO. | PART NO. | PART NAME | Q'TY |
| 1 | 1601-KAT-901 | GASKET SETA | 1 |
| 2 | 16012-KAT-903 | NEEDLE SET,JET | 1 |
| 3 | 16013-KAT-904 | FLOAT SET | 1 |
| 4 | 16015-KAT-905 | CHAMBER SET,FLOAT | 1 |
| 5 | 16016-KAT-906 | SCREW SETA | 1 |
| 6 | 16028-KAT-907 | SCREW SET B | 1 |
| 7 | 16037-KAT-908 | PLATE SET, VALVE | 1 |
| 8 | 16046-KAT-909 | BYSTARTER ASSY, AUTO | 1 |
| 9 | 16048-KAT-910 | VALVE SET,AER CUT | 1 |
| 10 | 16050-KAT-911 | SPRING, COMPRESSION COIL | 1 |
| 11 | 16080-KJ9-003 | SCREW/PAN M6X12 | 1 |
| 12 | 16100-KAT-913 | CARBURETOR ASSY. | 2 |
| 13 | 16107-KAT-914 | TOP | 1 |
| 14 | 16111-KAT-915 | PISTON COMP., VACUUM | 1 |
| 15 | 16155-KAT-902 | VALVE COMP,FLOAT | 1 |
| 16 | 16165-KAT-916 | HOLDER,NEEDLE JET | 1 |
| 17 | 16179-KAB-670 | BINDER | 1 |
| 18 | 16190-GJ2-004 | CAP,HOLDER | 1 |
| 19 | 95005-45270-509 | TUBE | 1 |
| 20 | 35000-04008 | SCREW/PAN, M4X8 | 1 |
| 21 | 93600-04014-1H | SCREW/PAN, M4X14 | 2 |
| 22 | 93892-04008-18 | SCREW-WASHER, M4X8 | 4 |
| 23 | 93892-04010-18 | SCREW-WASHER, M4X10 | 2 |

FIG. 15

CARBURETOR



FRAME GROUP

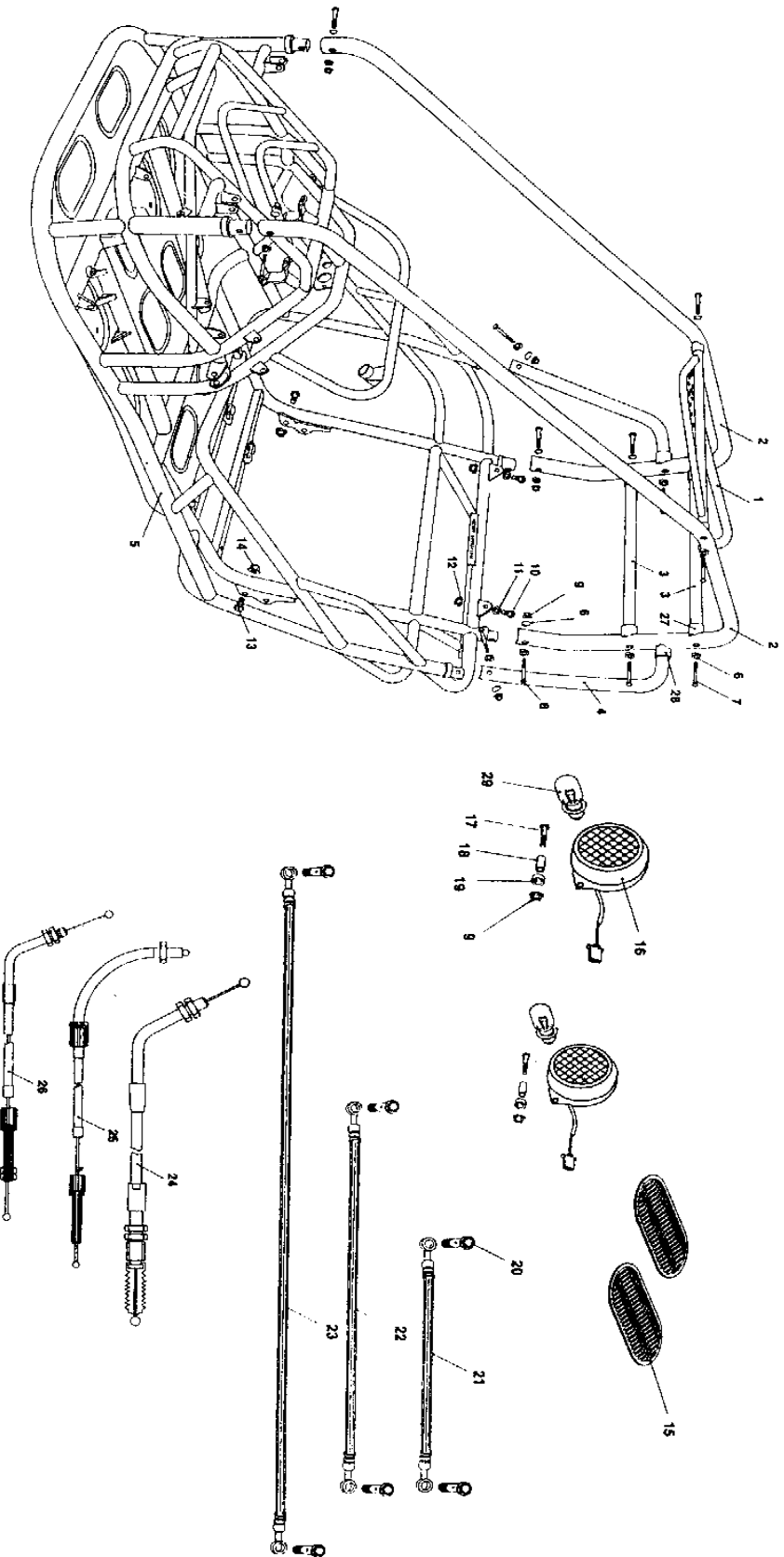
| NO. | PART NO. | PART NAME | Q T Y |
|-----|-----------|---------------------------|-------|
| 24 | 6.000.034 | CABLE COMP. THROTTLE | 1 |
| 25 | 6.000.040 | CABLE COMP. REVERSE | 1 |
| 26 | 6.000.050 | CABLE COMP. PARKING BRAKE | 1 |
| 27 | 7.010.017 | TUBE SEAT Ø25 | 8 |
| 28 | 7.010.016 | TUBE SEAT Ø32 | 2 |
| 29 | 9.090.001 | BULB, HEADLIGHT | 2 |

FRAME GROUP

| NO. | PART NO. | PART NAME | Q T Y |
|-----|-----------|---------------------------|-------|
| 1 | 6.000.061 | ROLL CAGE CROSS BAR. FR. | 1 |
| 2 | 8.070.034 | ROLL CAGE BAR. LH. RH. | 2 |
| 3 | 8.080.033 | ROLL CAGE CROSS BAR. RR. | 2 |
| 4 | 8.070.035 | ROLL CAGE BAR. L. R. SIDE | 2 |
| 5 | 2.000.012 | FRAME COMP | 1 |
| 6 | 8.010.047 | R-WASHER | 20 |
| 7 | 9.108.055 | BOLT-WASHER M8X1.25X55 | 8 |
| 8 | 9.108.050 | BOLT-WASHER MX1.25X50 | 6 |
| 9 | 9.220.008 | NUT. FLANG. LOCK M8 | 8 |
| 10 | 9.700.001 | BOLT. SPECIAL. M7/16"X28 | 2 |
| 11 | 9.700.002 | WASHER. BELT. Ø12 | 2 |
| 12 | 9.700.003 | NUT. BELT. M7/16" | 2 |
| 13 | 9.112.025 | BOLT-WASHER M12X1.25X25 | 2 |
| 14 | 9.220.012 | NUT. FLANGE LOCK M12 | 2 |
| 15 | 7.020.012 | FOOT PLATE. RUBBER | 4 |
| 16 | 6.000.009 | HEADLIGHT UNIT | 2 |
| 17 | 9.108.040 | BOLT-WASHER M8X1.25X40 | 2 |
| 18 | 8.010.048 | COLLAR. HEADLIGHT | 2 |
| 19 | 8.010.049 | BUSH. HEADLIGHT | 2 |
| 20 | 9.700.004 | BOLT. BANJO M10X24 | 6 |
| 21 | 7.020.024 | HOSE ASSY. L. BRAKE. 34" | 1 |
| 22 | 7.020.025 | HOSE ASSY. R. BRAKE. 43" | 1 |
| 23 | 7.020.026 | HOSE ASSY. RR. BRAKE. 75" | 1 |

FIG.16

FRAME GROUP



STEERING SHAFT ASSY.

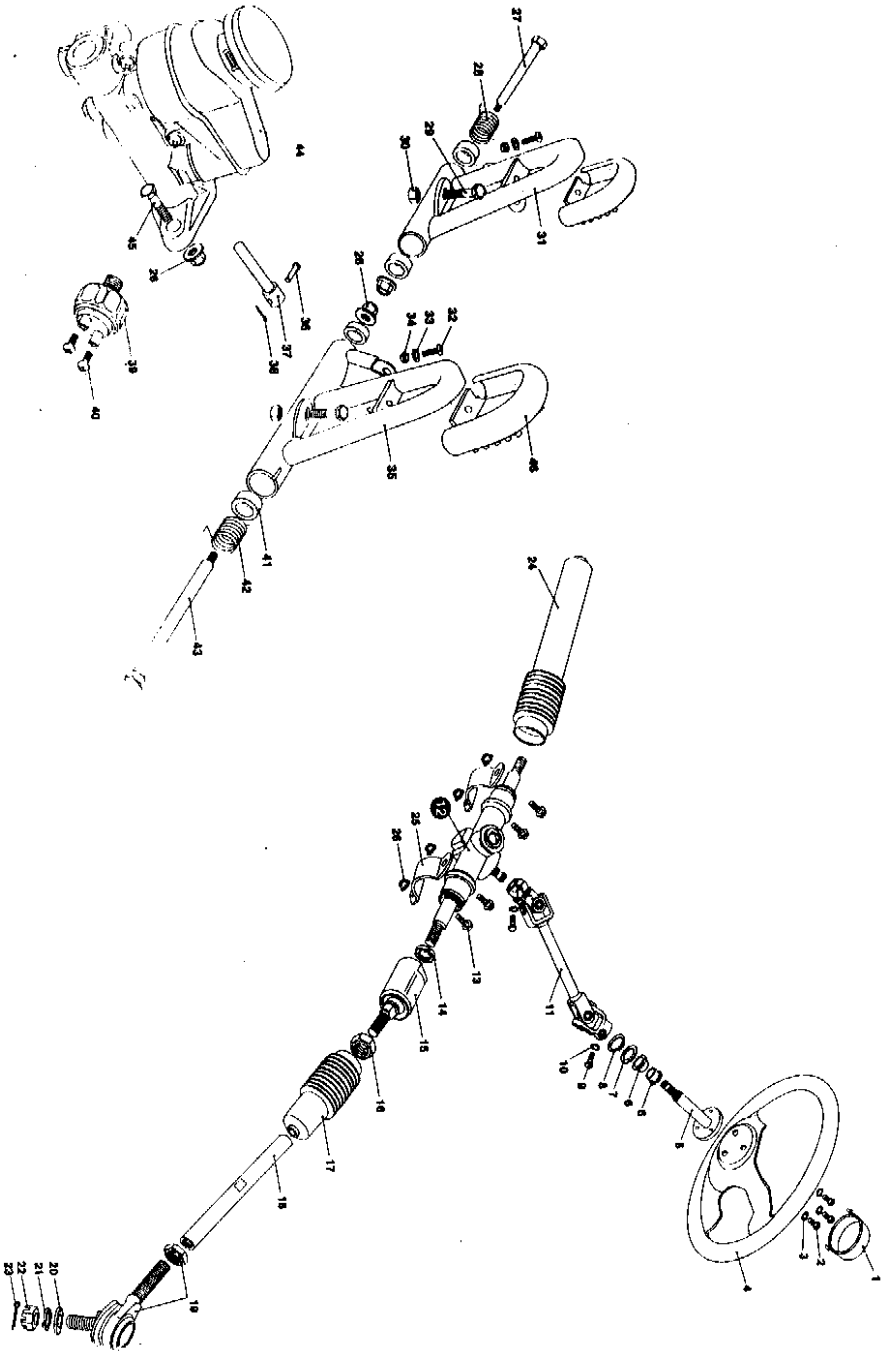
| NO. | PART NO. | PART NAME | Q'TY |
|-----|---------------|----------------------------------|------|
| 24 | 7.020.202 | DUST COVER. R. BALL JOINT | 1 |
| 25 | 8.020.014 | BRACKET. STEERING GEAR | 2 |
| 26 | 9.220.008 | NUT. FLANGE LOCK M8 | 8 |
| 27 | 9.708.145 | BOLT. THROTTLE PEDAL M8x1.25x145 | 1 |
| 28 | 8.040.001(LH) | SPRING. THROTTLE PEDAL RETURN | 1 |
| 29 | 9.108.040 | BOLT-WASHER M8x1.25x40 | 2 |
| 30 | 9.200.008 | NUT M8 | 2 |
| 31 | 4.000.016 | THROTTLE PEDAL COMP. | 1 |
| 32 | 9.600.515 | SCREW/PAN. M5x15 | 2 |
| 33 | 9.300.005 | WASHER.FLAT Ø5 | 2 |
| 34 | 9.200.005 | NUT M5 | 2 |
| 35 | 4.000.015 | BRAKE PEDAL COMP | 1 |
| 36 | 9.700.624 | PIN 6x24 | 1 |
| 37 | 8.010.004 | PIN.SPINDLE | 1 |
| 38 | 9.500.212 | PIN.COTTER 2x12 | 1 |
| 39 | 6.000.063 | SWTCH ASSY. BRAKE LAMP | 1 |
| 40 | 9.600.306 | SCREW/PAN M3x6 | 2 |
| 41 | 7.010.004 | BUSH.PEDAL | 4 |
| 42 | 8.040.001(RH) | SPRING. BRAKE PEDAL RETURN | 1 |
| 43 | 9.708.222 | BOLT.BRAKE PEDAL M8x1.25x222 | 1 |
| 44 | 6.000.027 | MASTER CYLINDER | 1 |
| 45 | 9.108.025 | BOLT-WASHER M8x1.25x25 | 2 |
| 46 | 7.020.004 | PEDAL PAD. | 2 |

STEERING SHAFT ASSY.

| NO. | PART NO. | PART NAME | Q'TY |
|-----|-----------|---------------------------|------|
| 1 | 7.010.014 | COVER. STEERING BOLT | 1 |
| 2 | 9.100.612 | BPLT. M6x12 | 3 |
| 3 | 9.400.006 | WASHER. LOCK Ø6 | 3 |
| 4 | 7.020.010 | STEERING WHEEL | 1 |
| 5 | 4.000.016 | STEERING SHAFT | 1 |
| 6 | 7.010.026 | BUSH. STEERING SHAFT | 2 |
| 7 | 9.700.020 | WASHER. SPECIAL Ø20 | 1 |
| 8 | 9.700.120 | CIRCLIP Ø20 | 1 |
| 9 | 9.100.825 | BOLT M8x25 | 2 |
| 10 | 9.400.008 | WASHER. LOCK Ø8 | 2 |
| 11 | 4.000.015 | STEERING KNUCKLE | 1 |
| 12 | 4.000.014 | STEERING GEAR | 1 |
| 13 | 9.108.025 | BOLT-WASHER M8x1.25x25 | 4 |
| 14 | 9.900.016 | ROUND NUT M16x1.5 | 2 |
| 15 | 4.000.008 | STEERING BALL JOINT | 2 |
| 16 | 9.200.010 | NUT. M10 | 2 |
| 17 | 7.020.002 | DUST COVER. L. BALL JOINT | 1 |
| 18 | 8.010.071 | TIE ROD | 2 |
| 19 | 6.000.062 | ROD END. | 2 |
| 20 | 9.300.010 | WASHER. FLAT Ø10 | 2 |
| 21 | 9.400.010 | WASHER. LOCK Ø10 | 2 |
| 22 | 9.800.010 | NUTCASTLE M10 | 2 |
| 23 | 9.500.215 | PIN.COTTER | 2 |

FIG.17

STEERING SHAFT ASSY.



SUSPENSION ARM ASSY.

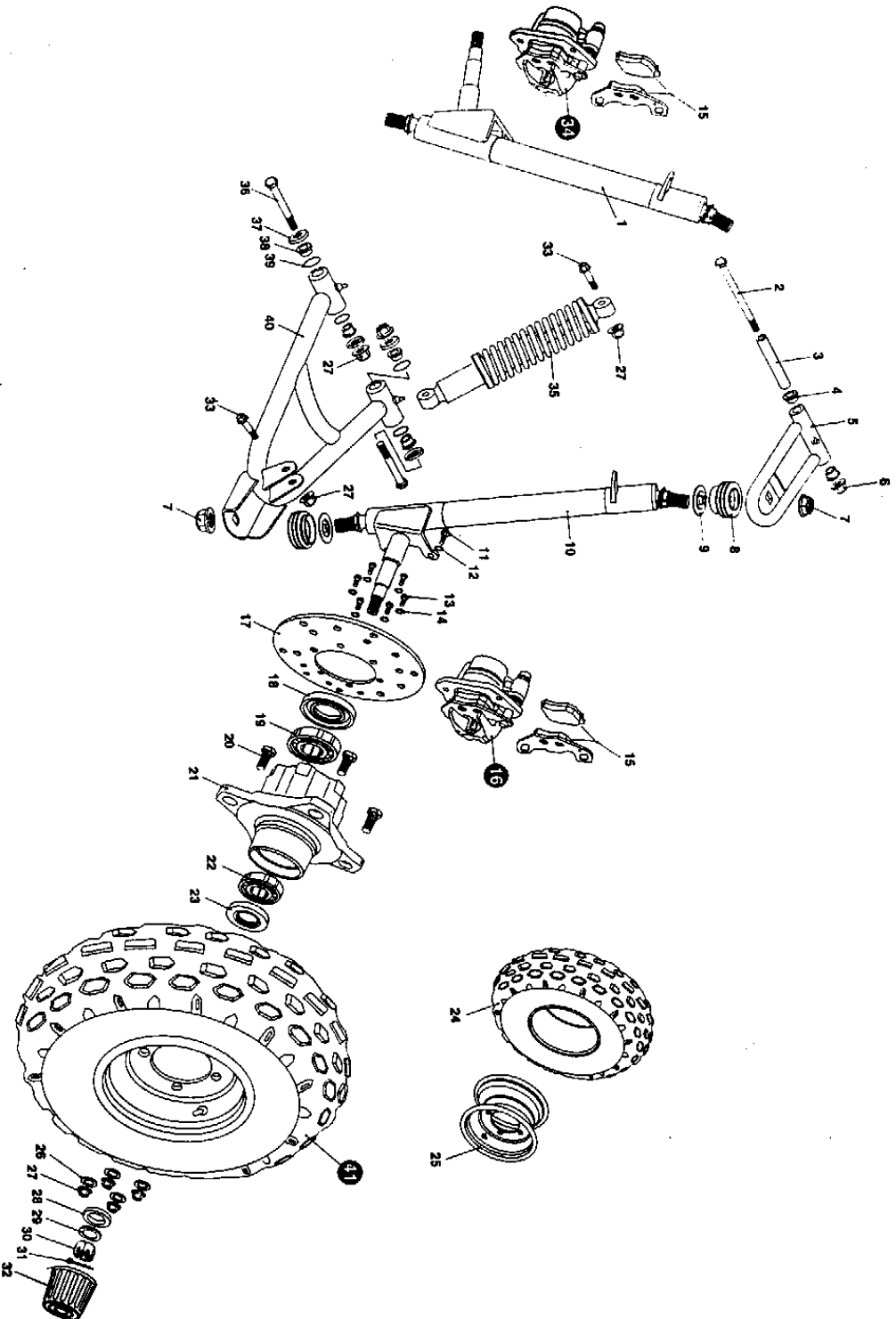
| NO. | PART NO. | PART NAME | Q T Y |
|-----|-------------|-------------------------------|-------|
| 24 | 6.000.003-I | TIRE, FR, 19X7.8 | 2 |
| 25 | 6.000.003-G | RIM, FR | 2 |
| 26 | 9.300.010 | WASHER, FLAT Ø 10 | 8 |
| 27 | 9.220.010 | NUT, FLANGE LOCK M10 | 16 |
| 28 | 8.010.043 | SPACER, FR. HUB | 2 |
| 29 | 9.300.014 | WASHER, FLAT Ø 14 | 2 |
| 30 | 9.800.014 | BOLT CASTLE, M14 | 2 |
| 31 | 9.500.330 | PIN,COTTER Ø3x30 | 2 |
| 32 | 7.020.009 | COVER, DUST, HUB | 2 |
| 33 | 9.110.040 | BOLT-WASHER M10x1.25x40 | 4 |
| 34 | 6.000.028-R | FRONT BRAKE CALIPER, R | 1 |
| 35 | 6.000.325 | CUSHION ASSY, FR, L=325 | 2 |
| 36 | 9.110.080 | BOLT-WASHER M10x1.25x80 | 4 |
| 37 | 8.020.034 | DUST CAP,LOWER SUSPENSION ARM | 8 |
| 38 | 7.010.002 | BUSH, LOWER SUSPENSION ARM | 8 |
| 39 | 9.040.001 | O-RING Ø21.2x2.65 | 8 |
| 40 | 4.000.023 | LOWER SUSPENSION ARM ASSY. | 2 |
| 41 | 6.000.003 | FR.WHEEL ASSY. | 2 |

SUSPENSION ARM ASSY.

| NO. | PART NO. | PART NAME | Q T Y |
|-----|-------------|-------------------------------|-------|
| 1 | 2.000.005-L | SUPPORT, STRUT AND SPINDLE L | 1 |
| 2 | 9.108.105 | BOLT-WASHER M8x1.25x105 | 2 |
| 3 | 8.010.015 | SPACER, UPPER SUSPENSION ARM | 2 |
| 4 | 7.010.003 | BUSH, UPPER SUSPENSION ARM | 4 |
| 5 | 4.000.004 | UPPER SUSPENSION ARM | 2 |
| 6 | 9.220.008 | NUT, FLANGE LOCK M8 | 2 |
| 7 | 9.220.012 | NUT, FLANGE LOCK M12 | 4 |
| 8 | 7.020.025 | DUST SEAL, BALL HEAD | 4 |
| 9 | 8.020.053 | SPACER, BALL HEAD | 4 |
| 10 | 2.000.005-R | SUPPORT, STRUT AND SPINDLE, R | 1 |
| 11 | 9.100.814 | BOLT M8x14 | 4 |
| 12 | 9.400.008 | WASHER LOCK Ø 8 | 4 |
| 13 | 9.100.612 | BOLT M6x12 | 12 |
| 14 | 9.400.006 | WASHER LOCK Ø 6 | 12 |
| 15 | 7.020.016 | PAD SET, FR. BRAKE CALIPER | 2 |
| 16 | 6.000.028-L | FRONT BRAKE CALIPER L | 1 |
| 17 | 8.010.054 | DISC, FR. BRAKE | 2 |
| 18 | 9.040.002 | DUST SEAL 47x25-7 | 2 |
| 19 | 9.030.002 | BEARING 6204 | 2 |
| 20 | 9.710.025 | BOLT, TIRE M10x1.25x25 | 8 |
| 21 | 8.010.055 | HUB, FR. WHEEL | 2 |
| 22 | 9.030.003 | BEARING 6203 | 2 |
| 23 | 9.040.003 | DUST SEAL 42x27-7 | 2 |

FIG.18

SUSPENSION ARM ASSY.



REAR CARGO RACK/SEAT/BELT

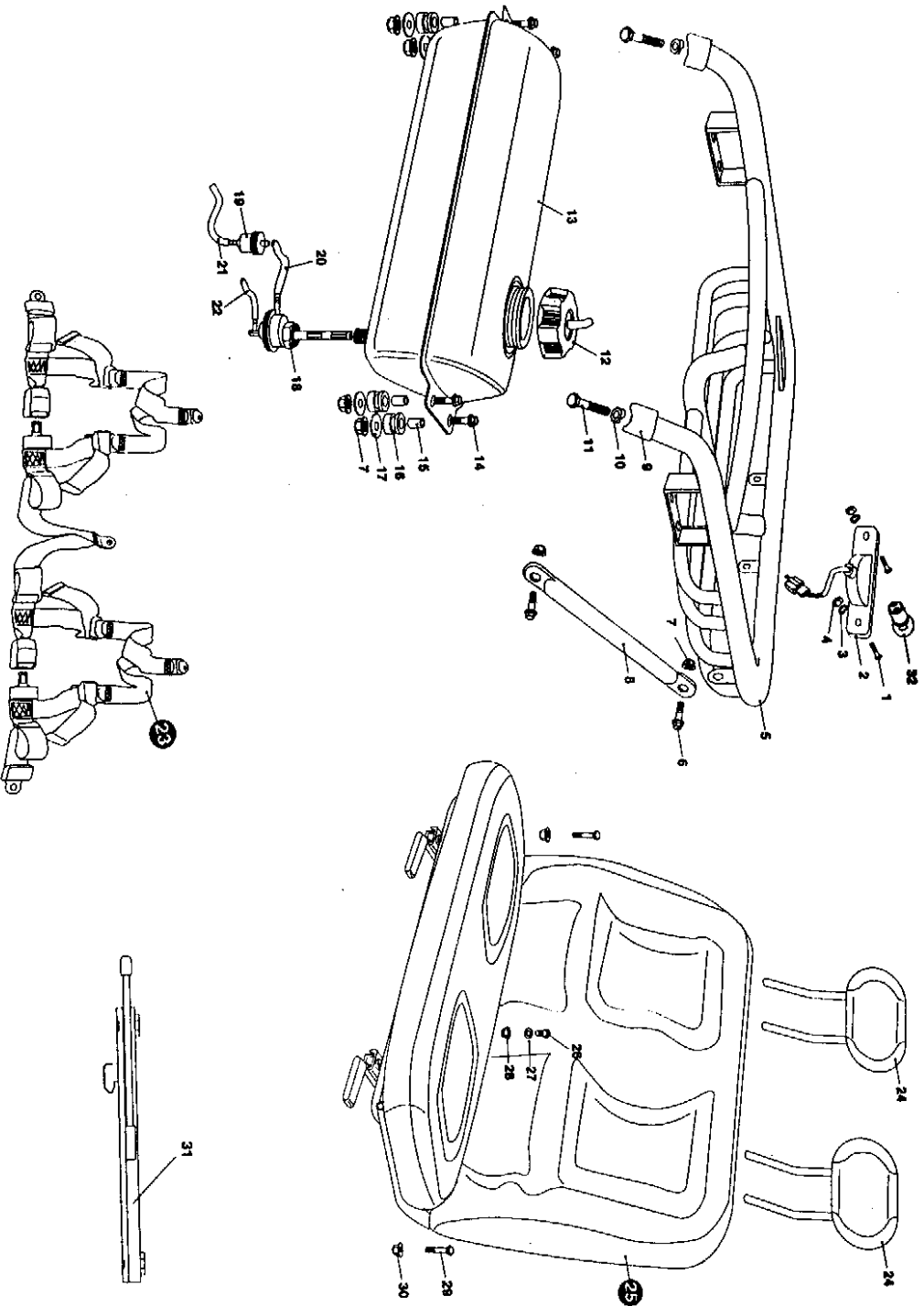
| NO. | PART NO. | PART NAME | Q T Y |
|-----|-----------|--------------------------|-------|
| 24 | 6.000.011 | HEAD-REST | 2 |
| 25 | 8.000.044 | SEAT COMP | 1 |
| 26 | 9.700.001 | BOLT, SPECIAL. M7/16"x28 | 1 |
| 27 | 9.700.002 | WASHER, BELT Ø12 | 1 |
| 28 | 9.700.003 | NUT, BELT M7/16" | 1 |
| 29 | 9.100.840 | BOLT M8x1.25x40 | 2 |
| 30 | 9.220.008 | NUT FLANGE LOCK M8 | 2 |
| 31 | 6.000.057 | RAIL SET, SEAT | 1 |
| 32 | 9.090.002 | BULB, TAIL LIGHT | 1 |

REAR CARGO RACK/SEAT/BELT

| NO. | PART NO. | PART NAME | Q T Y |
|-----|-----------|----------------------------|-------|
| 1 | 9.600.520 | SCREW, PANL. M5x20 | 2 |
| 2 | 6.000.010 | TAIL LIGHT | 1 |
| 3 | 9.400.005 | WASHER LOCK Ø5 | 2 |
| 4 | 9.200.005 | NUT, M5 | 2 |
| 5 | 2.000.001 | REAR CARGO RACK | 1 |
| 6 | 9.105.020 | BOLT-WASHER M8x1.25x20 | 4 |
| 7 | 9.220.008 | NUT, FLANGE LOCK M8 | 8 |
| 8 | 8.080.029 | SUPPORTER, REAR CARGO RACK | 2 |
| 9 | 7.010.016 | TUBE SEAT Ø32 | 2 |
| 10 | 8.010.047 | R-WASHER | 2 |
| 11 | 9.108.055 | BOLT-WASHER M8x1.25x55 | 2 |
| 12 | 6.000.053 | CAP COMP, FUEL FILLER | 1 |
| 13 | 4.000.011 | TANK COMP, FUEL | 1 |
| 14 | 9.108.025 | BOLT-WASHER M8x1.25x25 | 4 |
| 15 | 8.010.034 | COLLAR, TANK COMP. | 4 |
| 16 | 7.020.005 | RUBBER MOUNT | 4 |
| 17 | 9.300.008 | WASHER FLAT Ø8 | 4 |
| 18 | 6.000.046 | COCK ASS'Y, FUEL AUTO | 1 |
| 19 | 6.000.056 | FILTER | 1 |
| 20 | 7.020.021 | TUBE COMP, FUEL #1 | 1 |
| 21 | 7.020.022 | TUBE COMP, FUEL #2 | 1 |
| 22 | 7.020.023 | TUBE COMP, VACUUM | 1 |
| 23 | 6.000.045 | BELT, SAFETY | 1 |

FIG.19

REAR CARGO RACK/SEAT/BELT



| REAR SWING ARM ASS'Y. UPPER | | | |
|------------------------------------|-----------|-----------------------------------|-------|
| NO. | PART NO. | PART NAME | Q T Y |
| 24 | 7.010.008 | BUSH, CON' ROD | 8 |
| 25 | 8.020.013 | WASHER, CON' ROD | 4 |
| 26 | 9.108.016 | BOLT-WASHER M8X1.25X16 | 4 |
| 27 | 9.710.195 | BOLT-WASHER M10X1.25X195 | 1 |
| 28 | 8.010.025 | SPACER, ENGINE MOUNT | 1 |
| 29 | 7.020.024 | COVER, REVERSE LEVER | 2 |
| 30 | 9.200.008 | NUT, M8 | 6 |
| 31 | 9.108.020 | BOLT-WASHER M8X1.25X20 | 2 |
| 32 | 8.040.004 | SPRING, CABLE. | 1 |
| 33 | 6.000.064 | BRACKET, LEVER | 2 |
| 34 | 9.100.830 | BOLT M8X30 | 2 |
| 35 | 6.000.065 | LEVER, REVERSE, PARKING BRAKE | 2 |
| 36 | 8.040.003 | SPRING, LEVER | 2 |
| 37 | 8.020.082 | SPACER, LEVER | 4 |
| 38 | 9.108.040 | BOLT-WASHER M8X1.25X40 | 2 |
| 39 | 9.300.005 | WASHER FLAT Ø5 | 2 |
| 40 | 9.600.512 | SCREW, PAN, M6X12 | 2 |
| 41 | 9.220.008 | NUT FLANGE LOCK M8 | 2 |
| 42 | 7.020.026 | COVER, LEVER, GREEN/BLACK | 2 |
| 43 | 6.000.051 | ROD ADJUSTING, CABLE | 2 |
| 44 | 6.000.042 | PARKING BRAKE REVERSE LEVER ASSY. | 2 |

| REAR SWING ARM ASS'Y. UPPER | | | |
|------------------------------------|-----------|----------------------------|-------|
| NO. | PART NO. | PART NAME | Q T Y |
| 1 | 9.220.012 | NUT, FLANGE LOCK M12 | 1 |
| 2 | 8.010.042 | WASHER, ENGINE MOUNT LINK | 1 |
| 3 | 7.020.001 | CUSHION, ENGINE MOUNT LINK | 1 |
| 4 | 8.020.045 | SPACER, ENGINE MOUNT LINK | 1 |
| 5 | 8.010.041 | COLLAR, ENGINE MOUNT LINK | 1 |
| 6 | 8.020.044 | BRACKET, AIR CLEANER ASSY. | 1 |
| 7 | 9.300.012 | WASHER, FLAT Ø12 | 1 |
| 8 | 9.200.012 | NUT, M12 | 1 |
| 9 | 6.000.026 | ENGINE MOUNT LINK | 1 |
| 10 | 9.220.010 | NUT, FLANGE LOCK M10 | 1 |
| 11 | 9.100.635 | BOLT M6 35 | 3 |
| 12 | 8.010.034 | COLLAR, BRACKET | 3 |
| 13 | 7.020.005 | RUBBER MOUNT | 3 |
| 14 | 9.300.006 | WASHER Ø6 | 3 |
| 15 | 9.200.006 | NUT M6 | 3 |
| 16 | 9.110.045 | BOLT-WASHER M10X1.25X45 | 1 |
| 17 | 8.010.076 | SPACER, ENGINE | 1 |
| 18 | 9.600.655 | SCREW, PAN, M6X55 | 2 |
| 19 | 7.010.029 | COVER, ELECTRIC ASSY. | 1 |
| 20 | 2.000.203 | REAR SWING ARM ASSY, UPPER | 1 |
| 21 | 9.112.060 | BOLT-WASHER M12X1.25X60 | 2 |
| 22 | 9.220.012 | NUT, FLANGE LOCK M12 | 2 |
| 23 | 8.030.001 | CON' ROD | 2 |

ENGINE/MUFFLER/AIR CLEANER

| NO. | PART NO. | PART NAME | Q T Y |
|-----|-----------|-----------------------------|-------|
| 24 | 7.010.021 | CASE COMP. AIR CLEANER | 1 |
| 25 | 7.010.022 | ELEMENT, AIR CLEANER | 1 |
| 26 | 7.010.023 | ELEMENT, AIR CLEANER SECOND | 1 |
| 27 | 7.010.024 | COVER, AIR CLEANER | 2 |
| 28 | 9.400.005 | WASHER LOCK Ø5 | 2 |
| 29 | 9.100.612 | BOLT, M6x12 | 2 |
| 30 | 8.020.076 | CHAIN PROTECTOT, RR. | 1 |
| 31 | 9.100.816 | BOLT, M8x16 | 2 |
| 32 | 9.400.008 | WESHER LOCK Ø8 | 2 |

ENGINE/MUFFLER/AIR CLEANER

| NO. | PART NO. | PART NAME | Q T Y |
|-----|-----------|-----------------------------------|-------|
| 1 | 6.000.019 | REVERSE ASSY. | 1 |
| 2 | 8.010.050 | INTERNAL COLLAR, REVERSE | 1 |
| 3 | 9.220.016 | NUT, FLANGE LOCK M16 | 1 |
| 4 | 9.101.020 | BOLT, M10x20 | 3 |
| 5 | 9.400.010 | WASHER LOCK Ø10 | 1 |
| 6 | 8.020.057 | BRACKET, REVERSE | 1 |
| 7 | 9.200.008 | NUT, FLANGE LOCK M8 | 1 |
| 8 | 8.020.058 | CONNECTOR PANEL, REVERSE | 1 |
| 9 | 9.100.840 | BOLT, M18x1.25x40 | 1 |
| 10 | 9.400.010 | NUT, FLANGE LOCK M10 | 1 |
| 11 | 8.020.056 | BAND, AIR CLEANER CONNECTING TUBE | 1 |
| 12 | 6.000.017 | AIR CLEANER ASSY. | 1 |
| 13 | 6.000.024 | CARBURETOR | 1 |
| 14 | 2.000.009 | ENGINE, 150cc | 1 |
| 15 | 8.030.005 | RACK SUPPORT, MUFFLER | 1 |
| 16 | 9.101.025 | BOLT, M10x25 | 1 |
| 17 | 6.000.215 | PROTECTOR, MUFFLER | 1 |
| 18 | 6.000.015 | MUFFLER COMPLEX | 1 |
| 19 | 8.020.055 | CLAMP, BOOT | 1 |
| 20 | 7.020.012 | BOOT, SIDE CASE | 2 |
| 21 | 9.040.027 | NUT, MUFFLER JOINT, M6 | 1 |
| 22 | 9.040.005 | GASKET, EX. PIPE | 1 |
| 23 | 7.020.013 | AIR CLEANER CONNECTING TUBE | 1 |

FIG.21

ENGINE/MUFFLER/AIR CLEANER

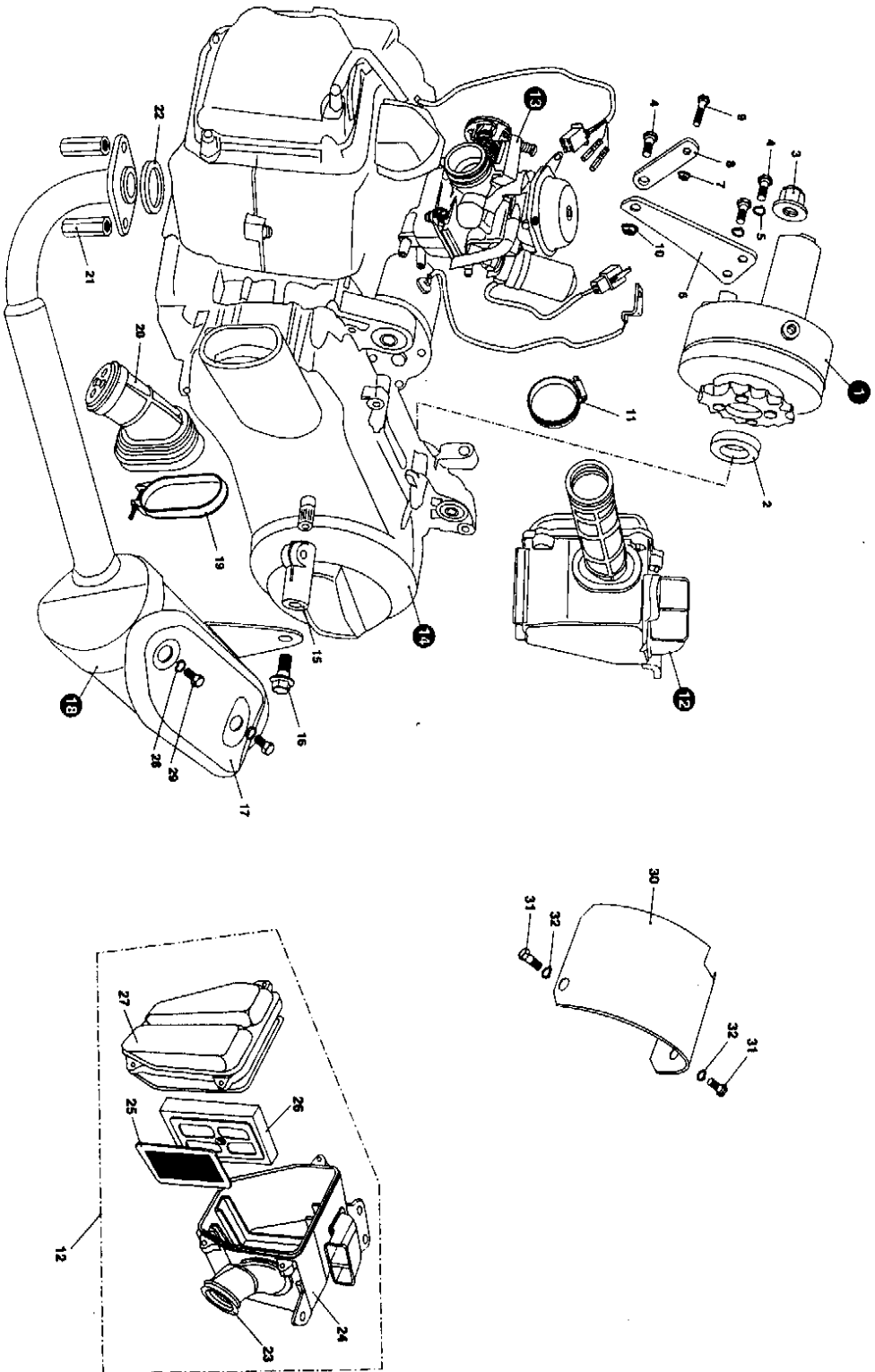


FIG.22

REAR SWING ARM

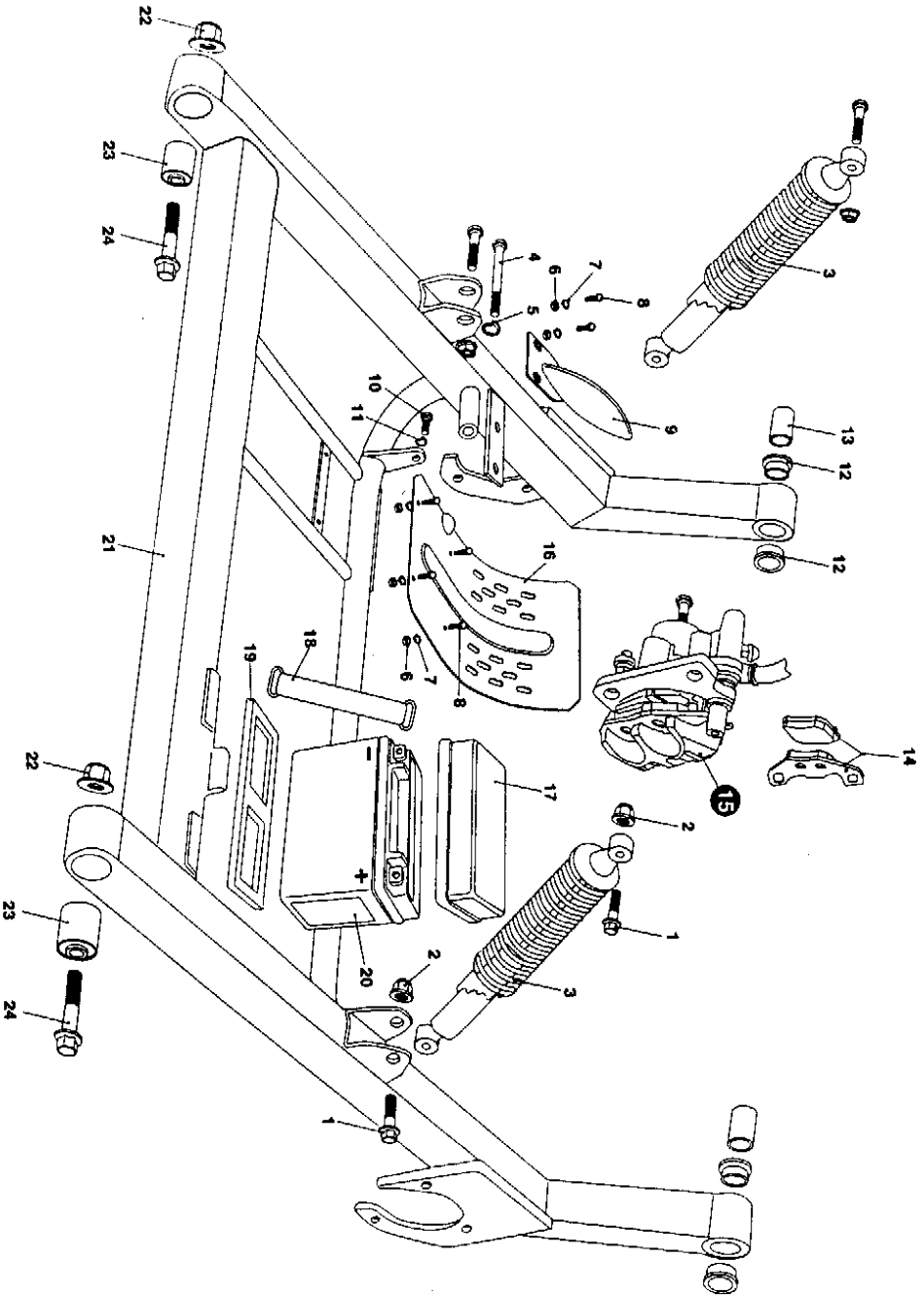
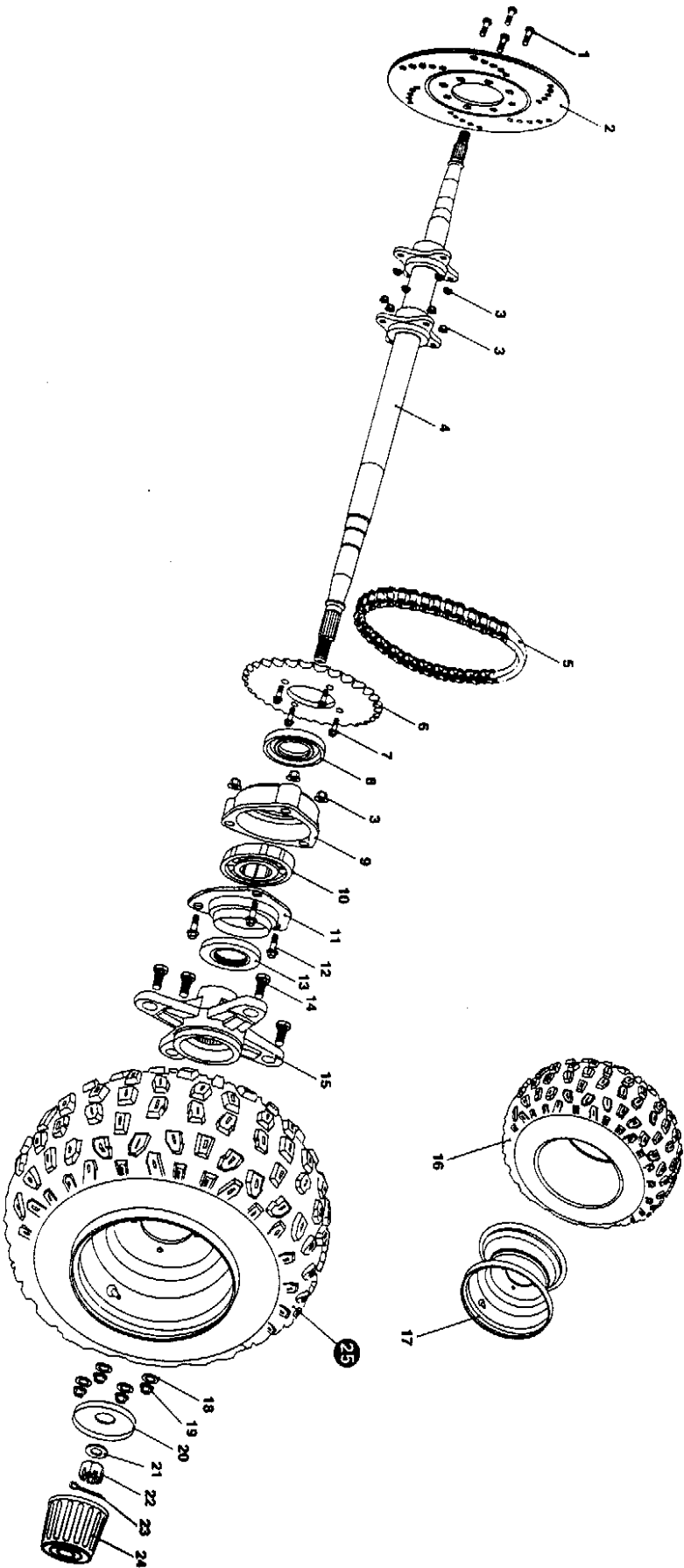


FIG.23

REAR HOUSING

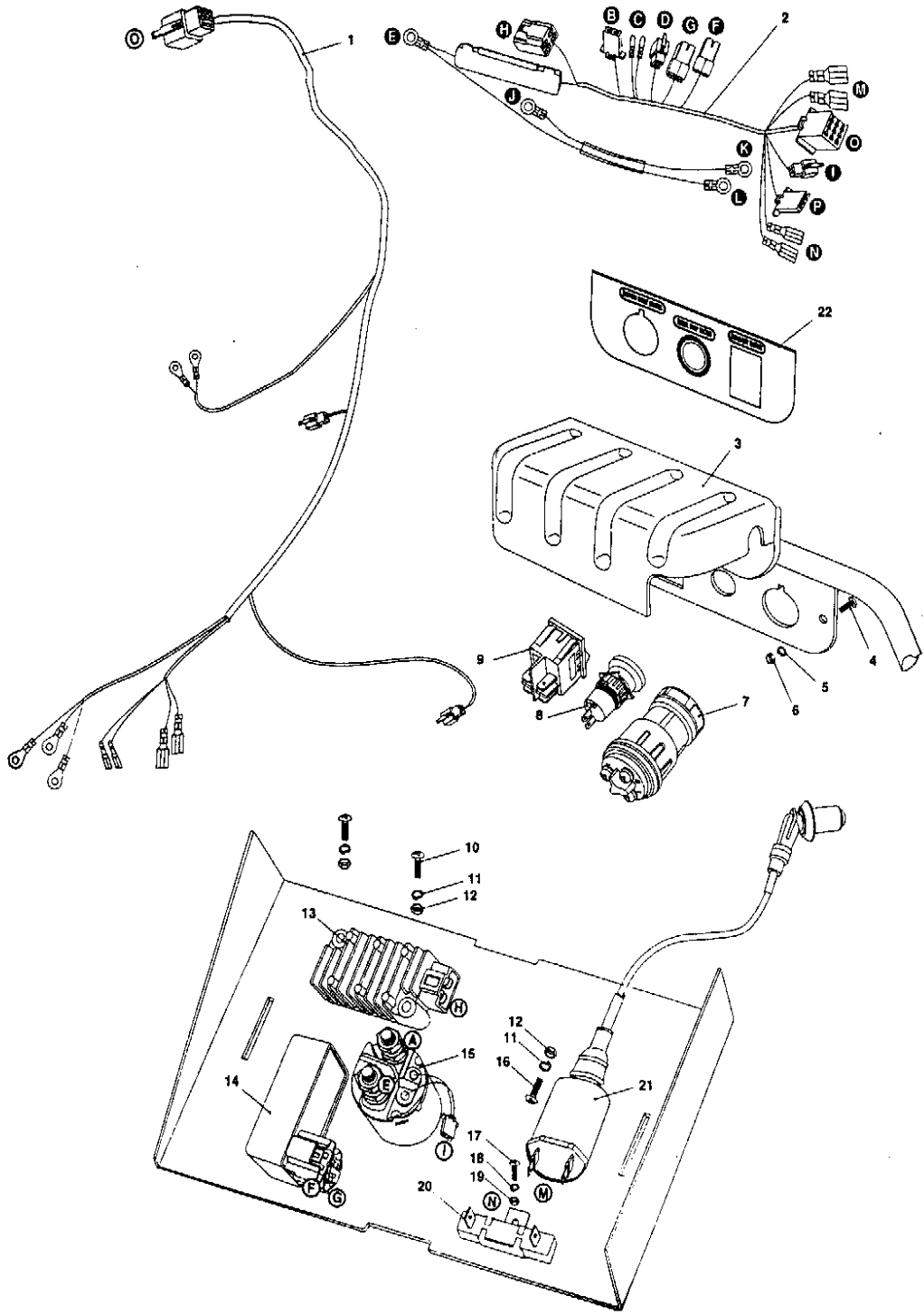


WIRE HARNESS/ELECTRICAL

| NO. | PART NO. | PART NAME | Q'TY |
|------------|-----------------|------------------------------|-------------|
| 1 | 6.000.049 | HARNES. WIRE | 1 |
| 2 | 6.000.049-1 | SOCKET COMP | 1 |
| 3 | 7.010.027 | COVER SWITCH | 1 |
| 4 | 9.600.515 | SCREW PAN M5X15 | 2 |
| 5 | 9.400.005 | WASHER LOCK Ø6 | 2 |
| 6 | 9.200.005 | NUT, M5 | 2 |
| 7 | 6.000.020 | IGNITION START SWITCH | 1 |
| 8 | 6.000.047 | ENGING STOP BUTTON | 1 |
| 9 | 6.000.058 | HEADLIGHT SWITCH | 1 |
| 10 | 9.100.630 | BOLT, M6X30 | 2 |
| 11 | 9.400.006 | WASHER LOCK Ø6 | 2 |
| 12 | 9.200.006 | NUT, M6 | 3 |
| 13 | 6.000.036 | RECTIFIER COMP. REGULATE | 1 |
| 14 | 6.000.037 | UNIT COMP. C.D. I. | 1 |
| 15 | 6.000.035 | STARTING RELAY | 1 |
| 16 | 9.600.625 | SCREW PAN M6X25 | 1 |
| 17 | 9.600.410 | SCREW PAN M4X10 | 1 |
| 18 | 9.300.004 | WASHER LOCK Ø4 | 1 |
| 19 | 9.200.004 | NUT, M4 | 1 |
| 20 | 6.000.038 | RESISTOR COMP 10W 10Ω | 1 |
| 21 | 6.000.025 | COIL COMP. IGNITION | 1 |
| 22 | 7.010.030 | LABEL. IGNITION START SWITCH | 1 |

FIG.24

WIRE HARNESS/ELECTRICAL



| REVERSE ASSY. | | | | | |
|----------------------|-----------------|-----------------------------------|--------------|--|--|
| NO. | PART NO. | PART NAME | Q T Y | | |
| 1 | 8.030.016 | GEAR CASE, R | 1 | | |
| 2 | 8.030.017 | GEAR CASE, L | 1 | | |
| 3 | 8.030.018 | COVER, GEAR SHIFTING SHITING YOKE | 1 | | |
| 4 | 9.030.004 | BEARING 6003 DDU | 1 | | |
| 5 | 6.000.033 | COUNTER GEAR SHAFT COMP. | 1 | | |
| 6 | 8.010.064 | BUSHING, DRIVE GEAR | 1 | | |
| 7 | 8.010.065 | DRIVE GEAR | 1 | | |
| 8 | 8.020.059 | COLLAR, DRIVE GEAR | 1 | | |
| 9 | 7.020.017 | RUBBER OIL SEAL | 1 | | |
| 10 | 9.030.005 | NEEDLE BEARING 28X35X20 | 1 | | |
| 11 | 8.010.061 | DRIVE SPROCKET | 1 | | |
| 12 | 8.010.066 | INTERNAL COLLAR | 1 | | |
| 13 | 8.040.003 | SPRING, GEAR SHIFTING YOKE | 1 | | |
| 14 | 9.700.112 | CIRCLIP Ø12 | 1 | | |
| 15 | 8.010.067 | GEAR SHIFTING YOKE | 1 | | |
| 16 | 9.600.620 | SCREW. PAN. M6X20 | 2 | | |
| 17 | 9.200.004 | NUT HEX 8MM | 3 | | |
| 18 | 9.400.005 | LOCK WASHER Ø8 | 9 | | |
| 19 | 9.100.840 | BOLT, M8X40 | 3 | | |
| 20 | 9.100.825 | BOLT, M8X25 | 6 | | |
| | | | | | |
| | | | | | |

FIG.25

REVERSE ASSY.

